

# OVAL EcoDesign

# PANADERO

## MEASURES

DIMENSIONS H x W x D	1008x605x490 mm
GROSS/NET WEIGHT	142/131 kg
FIREWOOD ENTRANCE	355x440 mm
SMOKE FLUE	Ø 150-153 mm Top

## CHARACTERISTICS

CAST IRON GRILL	
NOMINAL HEAT OUTPUT	8,7 KW
EFFICIENCY	80,7 %
CO EMISSIONS	0,10 %
HEAT RESISTANT PAINT	800°C
CERAMIC GLASS HEAT RESISTANCE	750°C

EAN 8426964183009

REF. PANADERO 18300

## PRODUCT PLUS

### ECODESIGN



**EXTERNAL AIR INTAKE**



VERMICULITE LINING



TRIPLE STEEL BODY SHEET 4 + 3 + 2,5 MM



WOOD LOG STORAGE



CLEAN GLASS SYSTEM



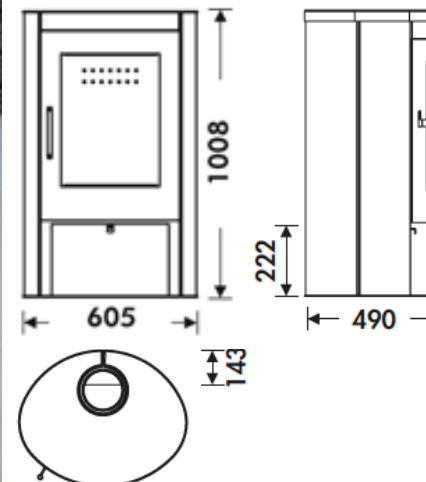
TRIPLE COMBUSTION



WOOD LOGS 50 CM



HEATING VOLUME



V K F A E A I **BImSchV2**

